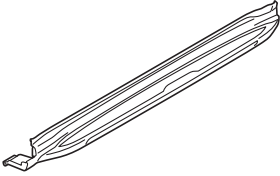


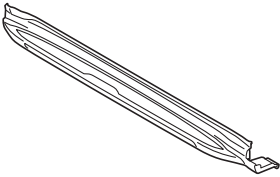
INSTALLATION INSTRUCTIONS		Application	
		2017 MDX	

PARTS LIST

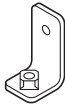
Left running board



Right running board



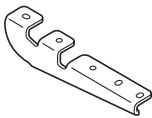
2 Support brackets A



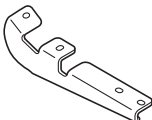
2 Support brackets B



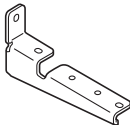
Left bracket A



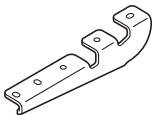
Left bracket B



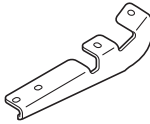
Left bracket C



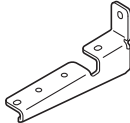
Right bracket A



Right bracket B



Right bracket C



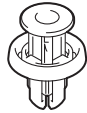
30 Flange bolts



2 Flange nuts



14 Clips



TOOLS AND SUPPLIES REQUIRED

Stubby Phillips screwdriver

Ratchet

12 mm Socket

Torque wrench

Utility knife

File

Touch-up paint

The following tools are available through the Acura Tool and Equipment Program. On the iN, click on Service > Service Bay > Tool and Equipment Program, then enter the number under "Search." Or, call 888-424-6857.

- Trim Tool Set (T/N SOJATP2014)
- Plastic Trim Tool (T/N SILTRIMTL10)

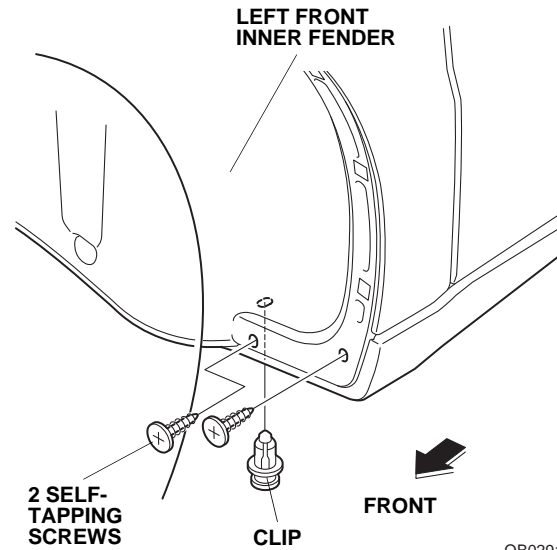
INSTALLATION

Client Information: The information in this installation instruction is intended for use only by skilled technicians who have the proper tools, equipment, and training to correctly and safely add equipment to your vehicle. These procedures should not be attempted by "do-it-yourselfers."

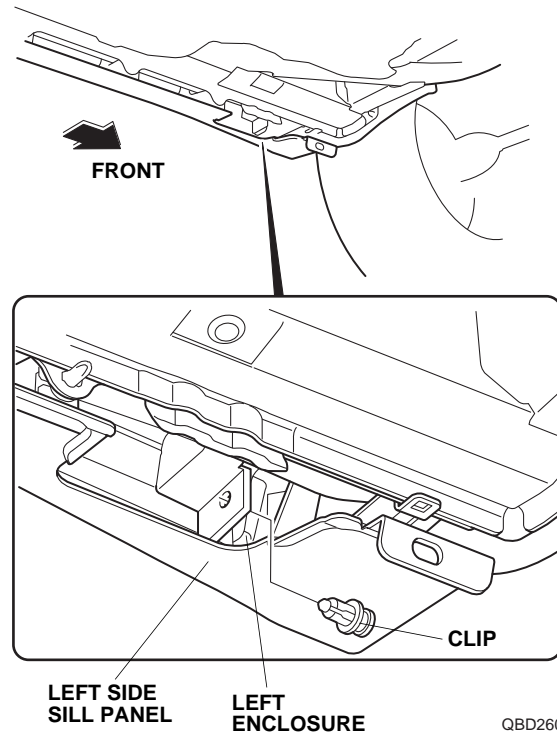
NOTE:

- Thoroughly clean the bottom of the body between the front and rear wheels.
- Be careful not to damage the body paint finish.

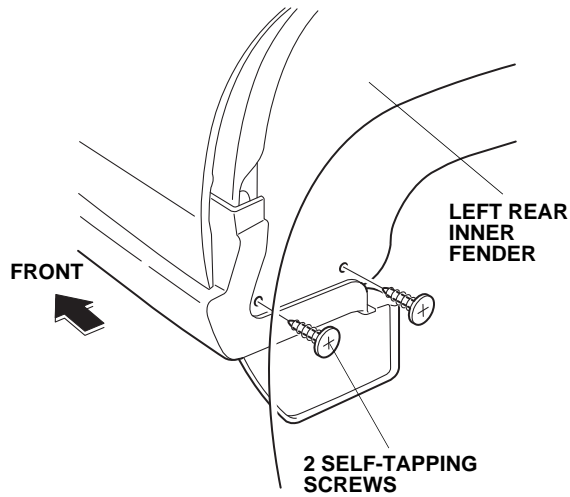
1. Remove the clip and two self-tapping screws from the left front inner fender.



2. Remove the clip from the left enclosure.

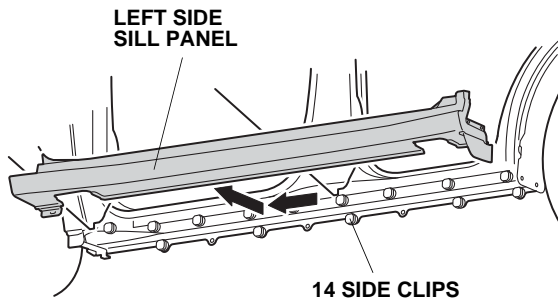


- Remove the two self-tapping screws from the left rear inner fender.



QB02911AK

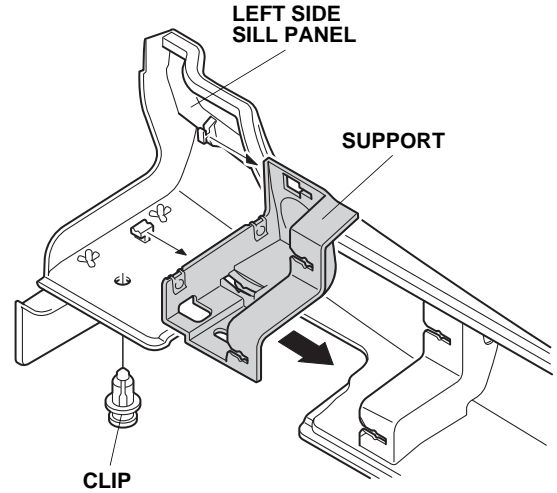
- Open both left doors.



QEN1701AH

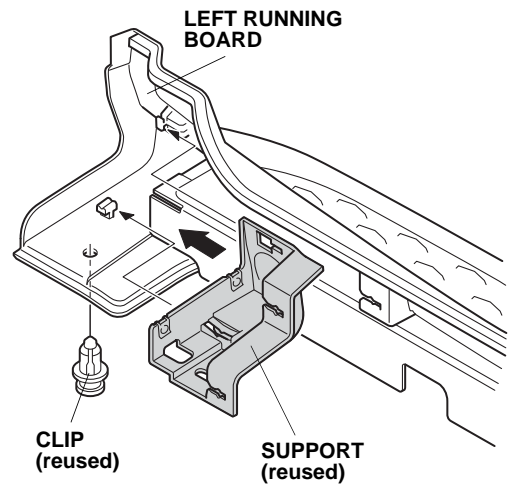
- Gently pull the front portion of the left side sill panel away from the body and slide the panel forward to remove it. The 14 side clips will stay in the body.

- Remove the support from the left side sill panel.



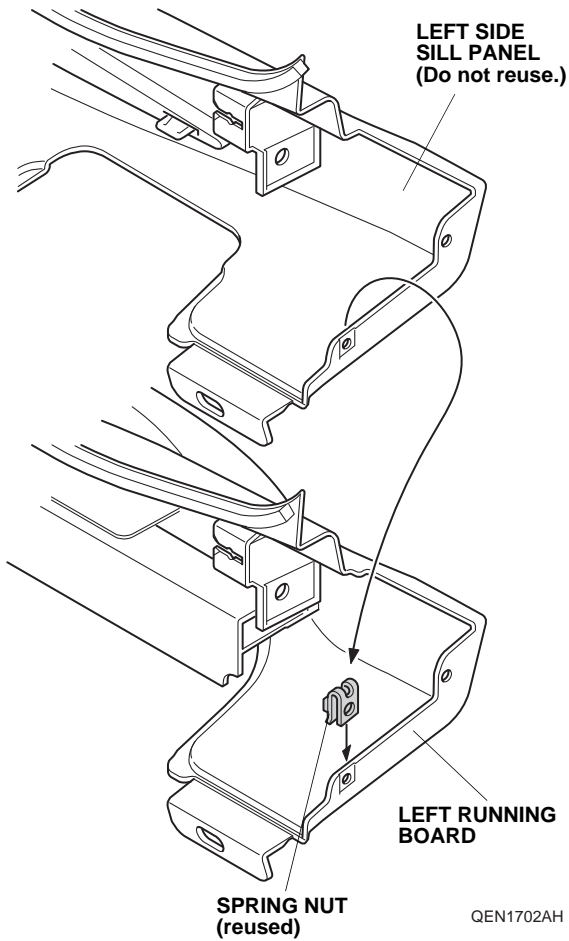
QED0804AH

- Transfer the support to the left running board with the one clip.

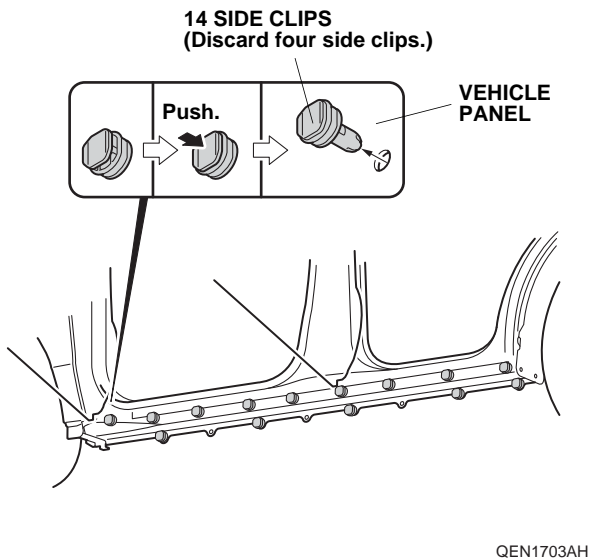


QED0801AH

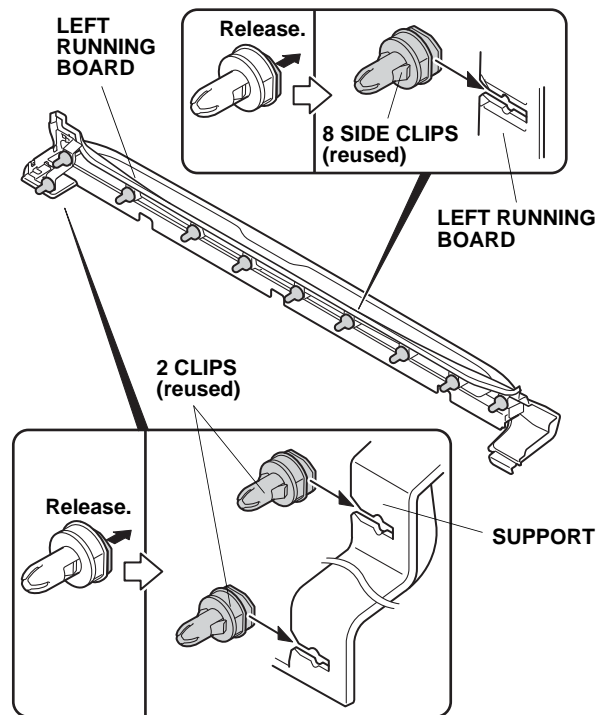
- Remove the one spring nut from the left side sill panel and transfer it to the left running board.



- Remove the 14 side clips from the vehicle panel.



- Install 10 of the side clips removed in step 9 to the left running board.

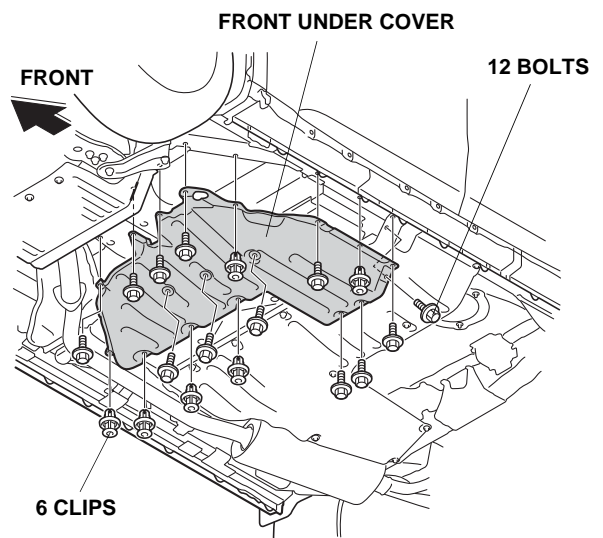


- Repeat steps 1 through 10 on the right side of the vehicle.

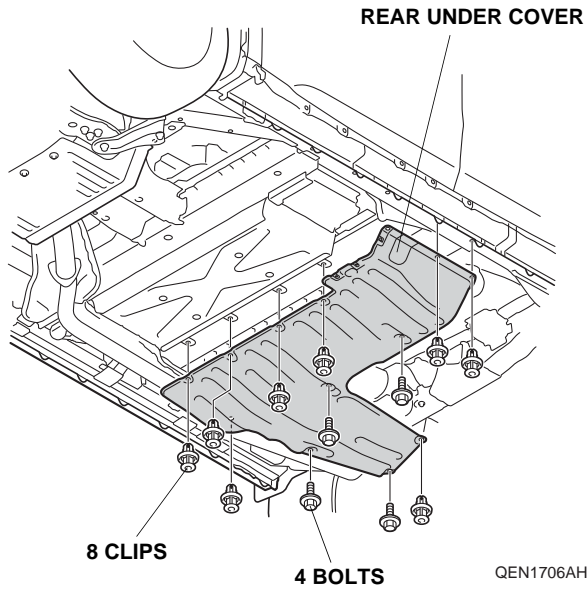
For E-AWD models, continue with step 12; otherwise, go to step 16.

E-AWD models

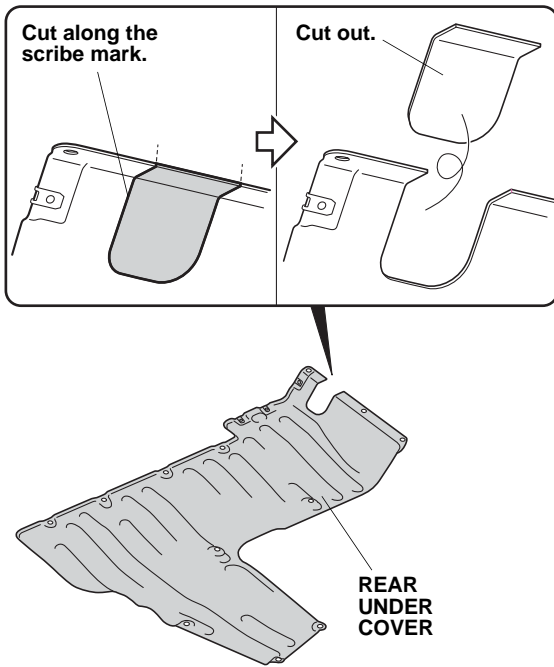
- Raise the vehicle and remove the front under cover.



13. Remove the rear under cover.

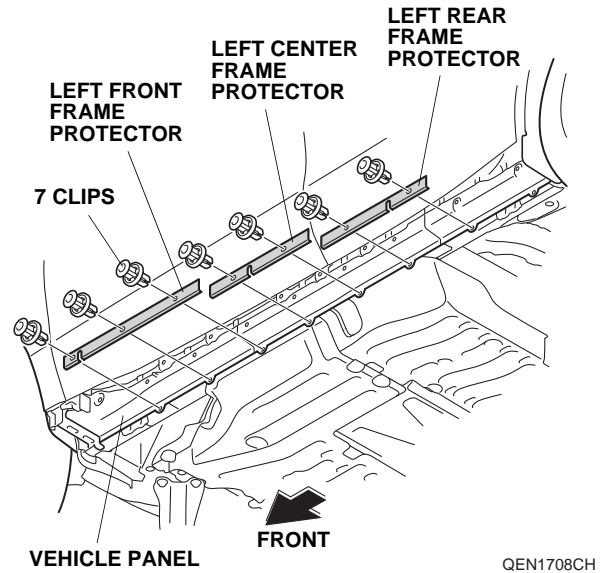


14. Using a utility knife, cut out the rear under cover as shown. Remove any burrs.

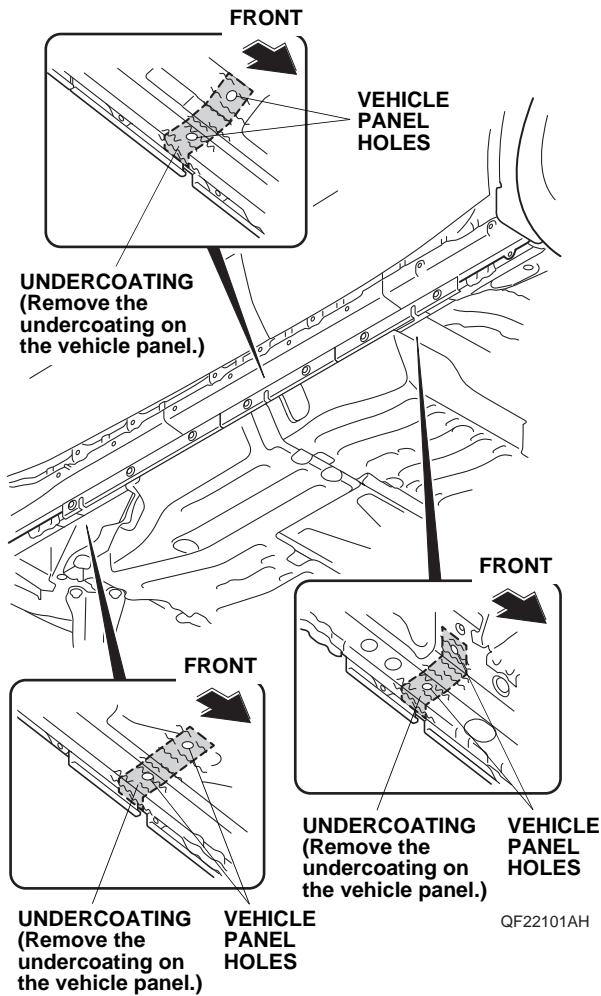


15. Install the front and rear under covers and lower the vehicle.

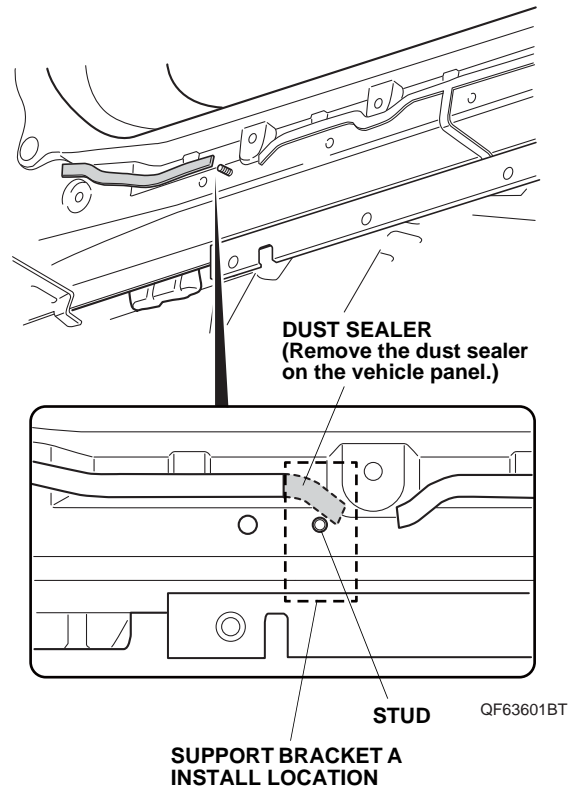
16. Close both left doors. Secure the left front frame protector, left center frame protector, and left rear frame protector to the vehicle panel with seven clips as shown.



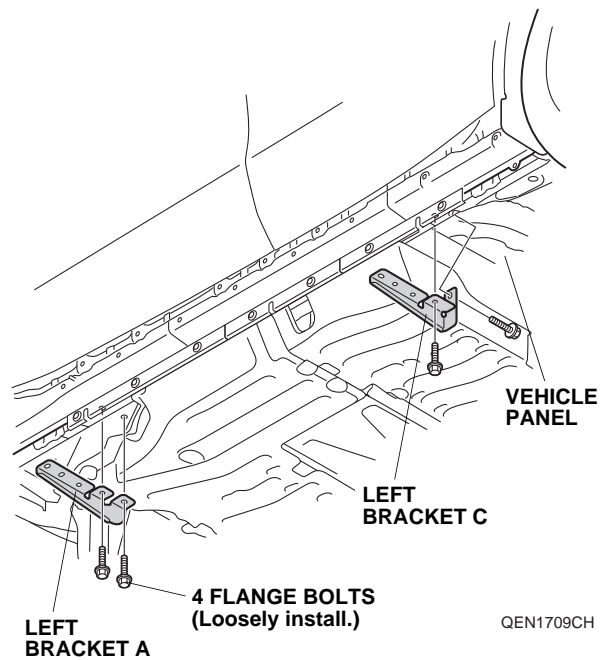
17. Remove the undercoating as shown. Apply touch-up paint to the areas where you removed the undercoating and allow them to dry thoroughly.



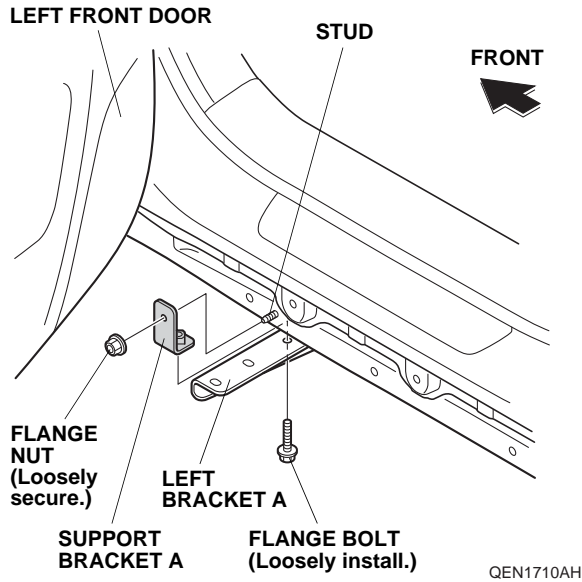
18. Remove the dust sealer as shown. Apply touch-up paint to the area where you removed the dust sealer and allow them to dry thoroughly.



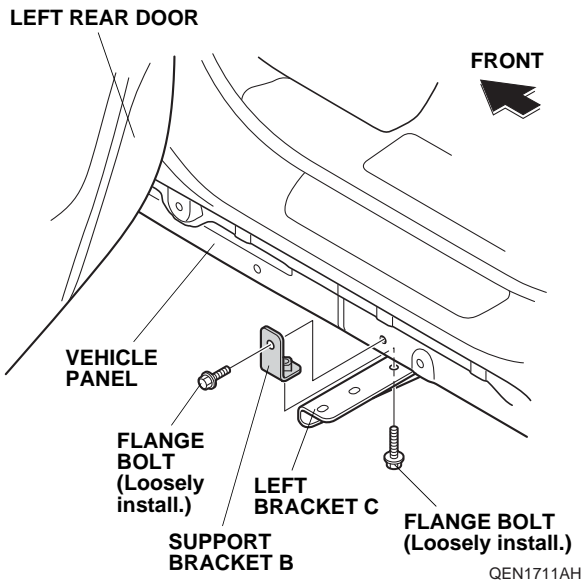
19. Loosely secure the left bracket A and left bracket C to the vehicle panel with four flange bolts.



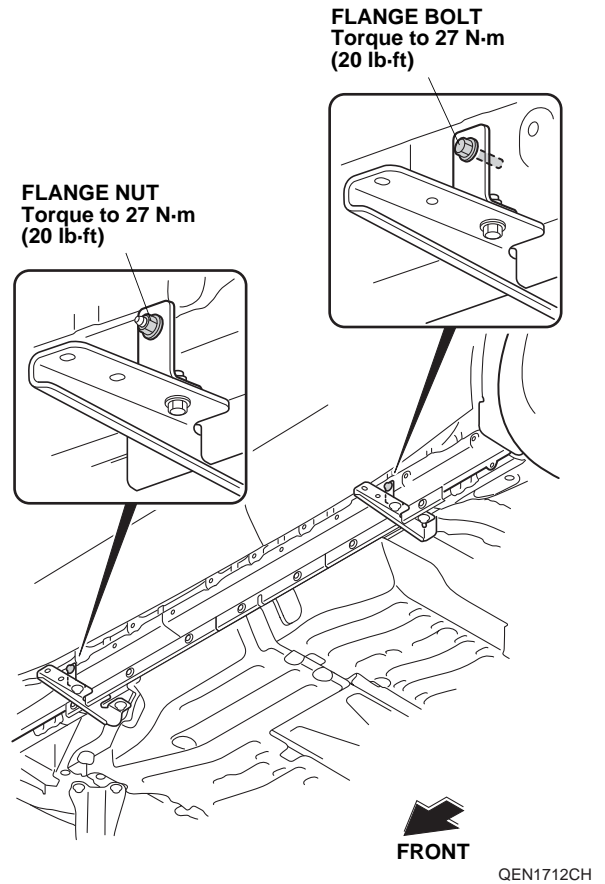
20. Open both left doors. Loosely secure support bracket A to left bracket A with one flange nut and flange bolt as shown.



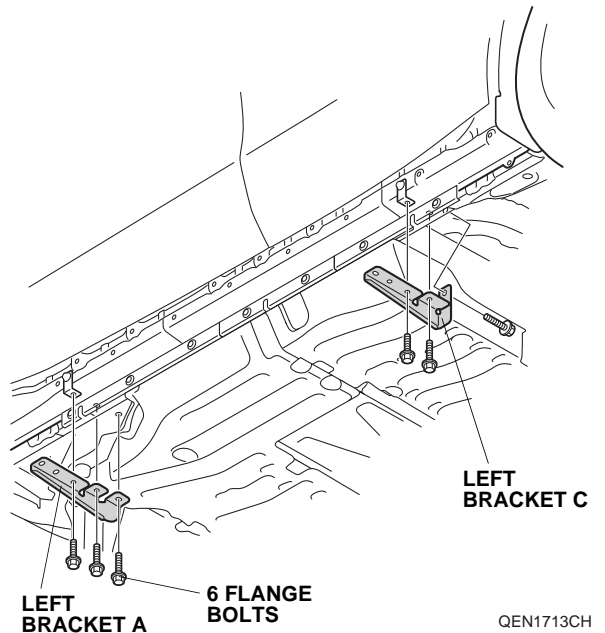
21. Loosely secure support bracket B to left bracket C with two flange bolts as shown.



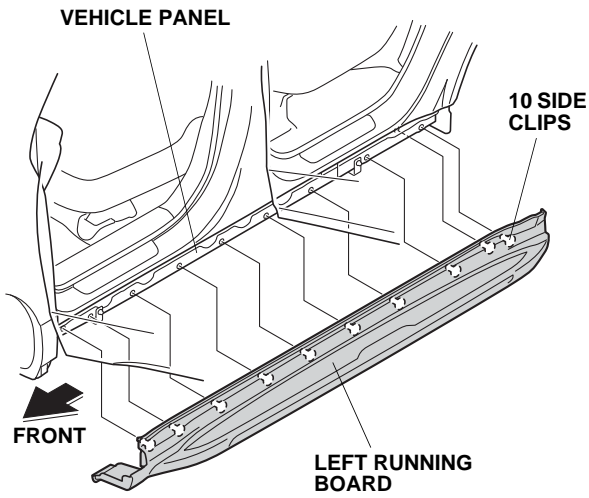
22. Close both left doors. Torque the flange nut and flange bolt to 27 N·m (20 lb·ft).



23. Remove left bracket A and left bracket C.

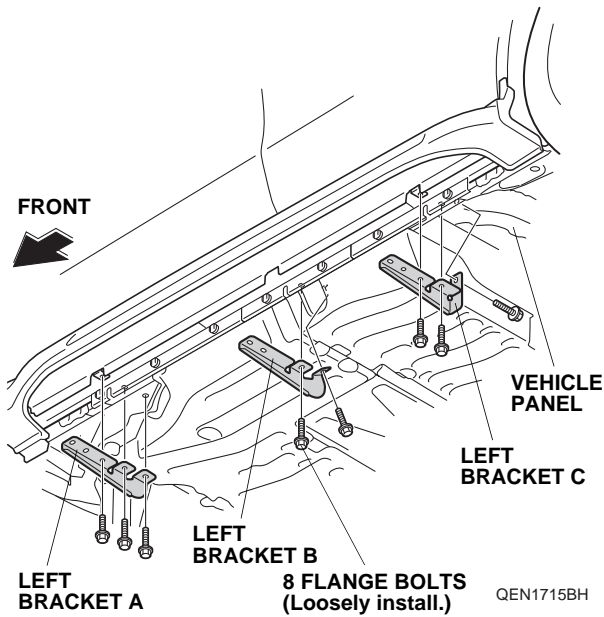


24. Open both left doors. Install the left running board to the vehicle panel.



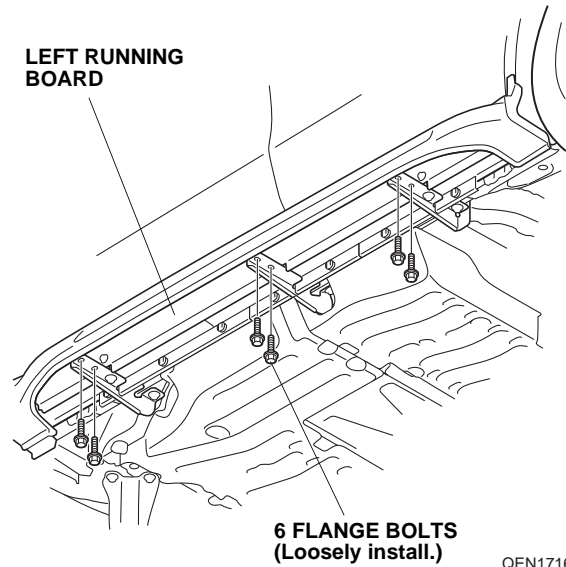
QF51802AH

25. Close both left doors. Loosely secure left bracket A, left bracket B, and left bracket C to the vehicle panel with eight flange bolts.



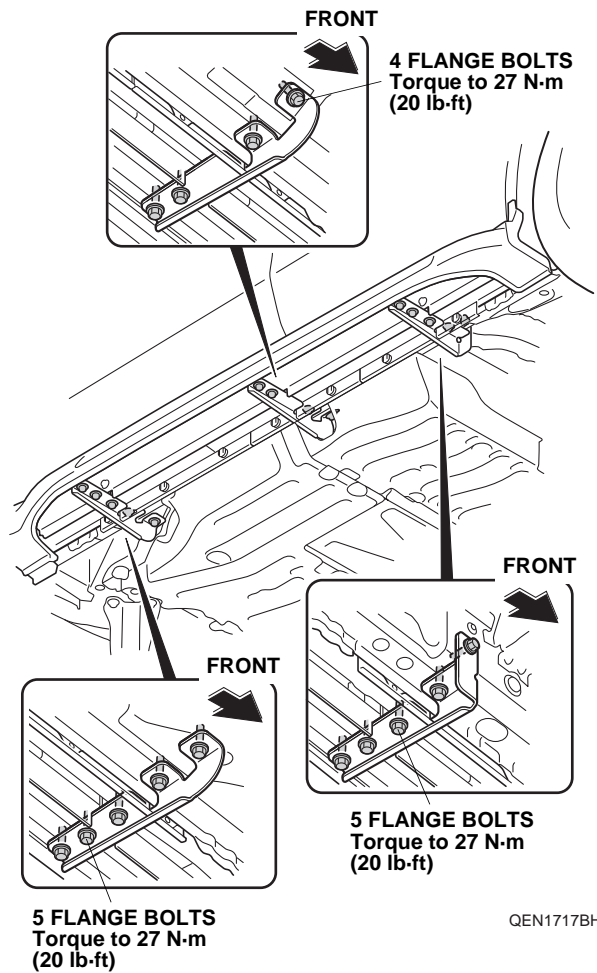
QEN1715BH

26. Secure the left running board with six flange bolts.



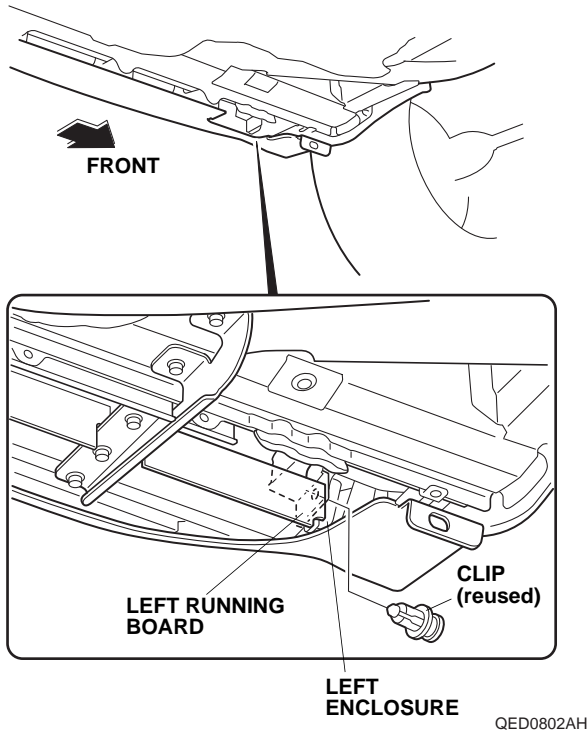
QEN1716BH

27. Torque the 14 flange bolts to 27 N-m (20 lb-ft).

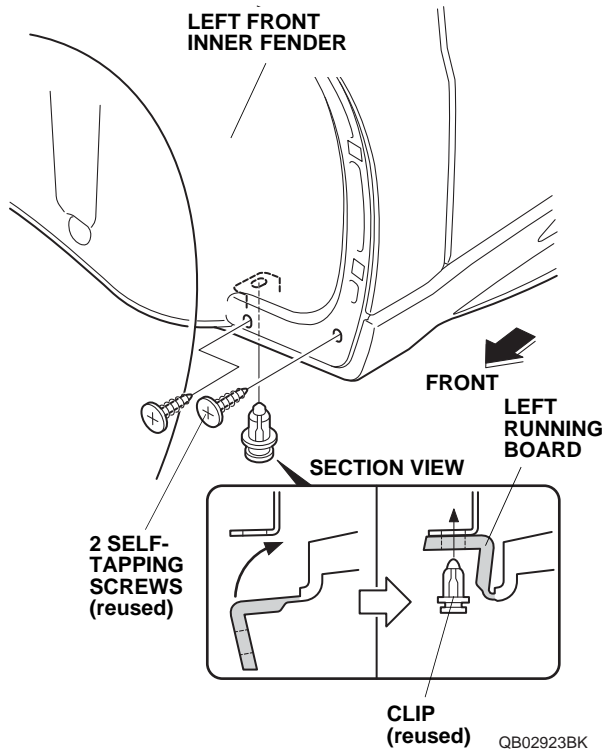


QEN1717BH

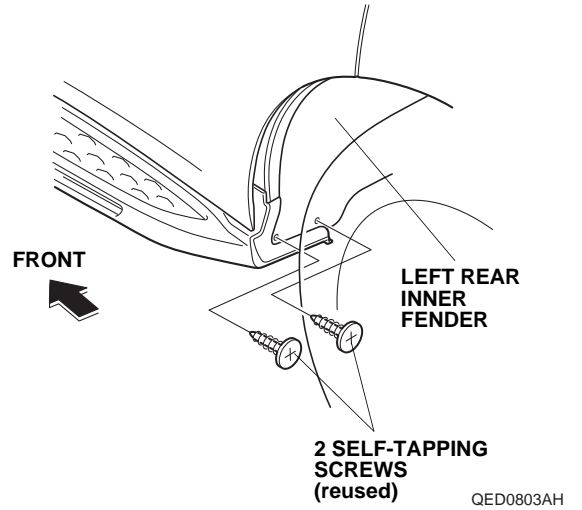
28. Secure the front of the left running board with the clip removed in step 2.



29. Secure the front of the left running board with the clip and two self-tapping screws removed in step 1.



30. Secure the rear of the left running board with the two self-tapping screws removed in step 3.



31. Repeat steps 16 through 30 to install the right running board.