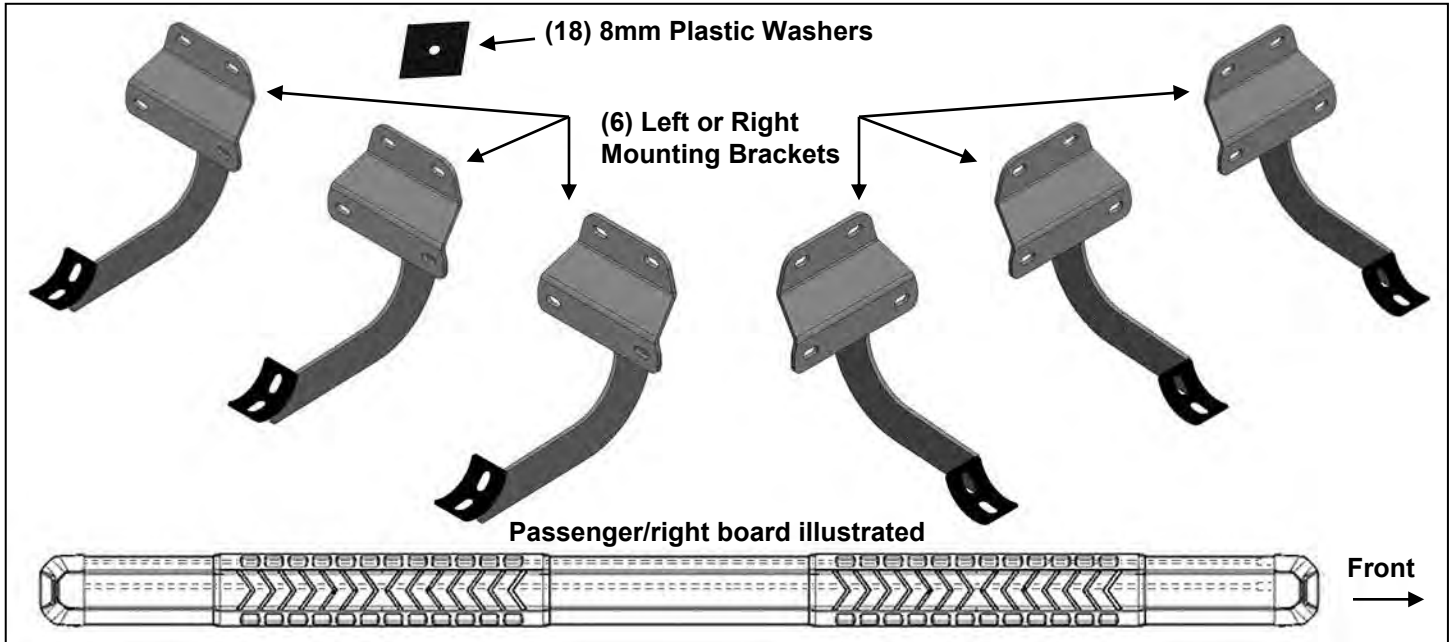


**PARTS LIST:**

1	Driver/left Rival Running Boards	12	8mm T-Bolts
1	Passenger/right Rival Boards	30	8mm x 24mm OD x 2mm Washers
6	Rival Brackets (use for left or right)	12	8mm Lock Washers
18	8mm Plastic Washers	18	8-1.25mm Nylon Lock Nuts
		12	8-1.25mm Hex Nuts



**PROCEDURE:**

**REMOVE CONTENTS FROM BOX. VERIFY ALL PARTS ARE PRESENT. READ INSTRUCTIONS CAREFULLY BEFORE STARTING INSTALLATION. ASSISTANCE IS RECOMMENDED.**

1. Start the installation under the passenger side of the vehicle. Locate the front factory running board mounting location along the inner side of the body, **(Figure 1)**.
2. Slide (1) Plastic Washer over each of the (3) factory mounting studs in the body panel, **(Figures 2 & 3)**. **IMPORTANT:** The Plastic Washers are designed to prevent corrosion between the aluminum body panel and the steel mounting brackets. **Do not install the Brackets without the Plastic Washers.**
3. Select (1) Mounting Bracket. **NOTE:** All (6) Brackets are universal and will fit left or right side. Attach the Mounting Bracket to the (3) factory studs with (3) 8mm Flat Washers and (3) 8mm Nylon Lock Nuts, **(Figure 4)**. Snug but do not fully tighten the hardware.
4. Repeat **Steps 1—3** to install the center and rear passenger side Brackets.
5. Select the passenger board. **NOTE:** Slots in the bottom of the board are offset toward the vehicle. Use the diagram above to help determine the correct board.
6. Locate the opening in the end of each of the channels in the bottom of the board. Slide (3) 8mm T-Bolts into each channel, **(Figure 5)**.
7. With assistance, carefully position the board onto the (3) Mounting Brackets. Lift the board up and slide the T-Bolts along the board to match up with the Brackets. **IMPORTANT:** Do not slide the board on the Brackets, (front to back or rotate), or the finish on the board may be damaged.
8. Line up the front of the board approximately 2" back, (or locate as desired), from the front wheel opening. Attach the board to the Mounting Brackets with (6) 8mm Flat Washers, (6) 8mm Lock Washers and (6) 8mm Hex Nuts, **(Figure 6)**. Do not tighten hardware at this time.
9. Level and adjust the board properly and tighten all hardware.

10. Repeat **Steps 2—9** for the driver board installation.

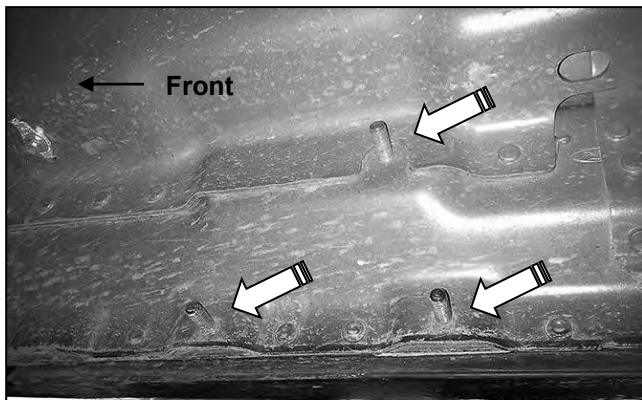
11. Do periodic inspections to the installation to make sure that all hardware is secure and tight.

**To protect your investment**, wax this product after installing. Regular waxing is recommended to add a protective layer over the finish. Do not use any type of polish or wax that may contain abrasives that could damage the finish.

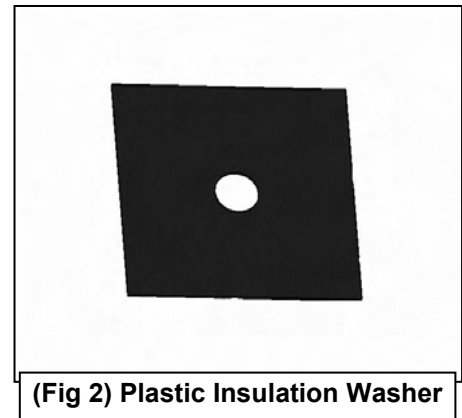
**For stainless steel:** Aluminum polish may be used to polish small scratches and scuffs on the finish. Mild soap may be used also to clean the board.

**For gloss black finishes:** Mild soap may be used to clean the board.

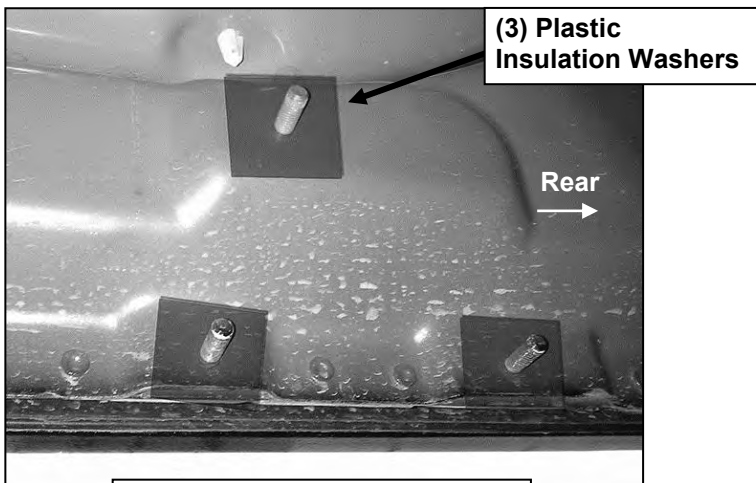
### Passenger/right Side Installation Pictured



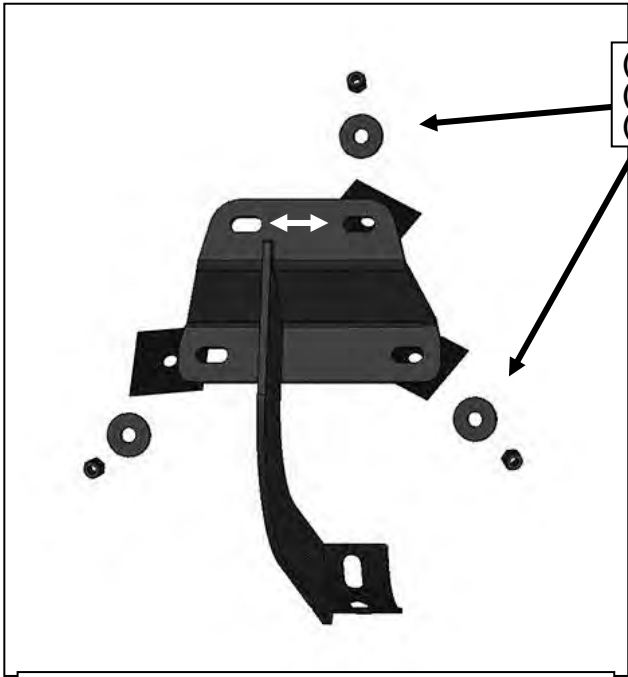
(Fig 1) Passenger side front mounting location



(Fig 2) Plastic Insulation Washer



(Fig 3) Thread Plastic Washers onto all mounting studs

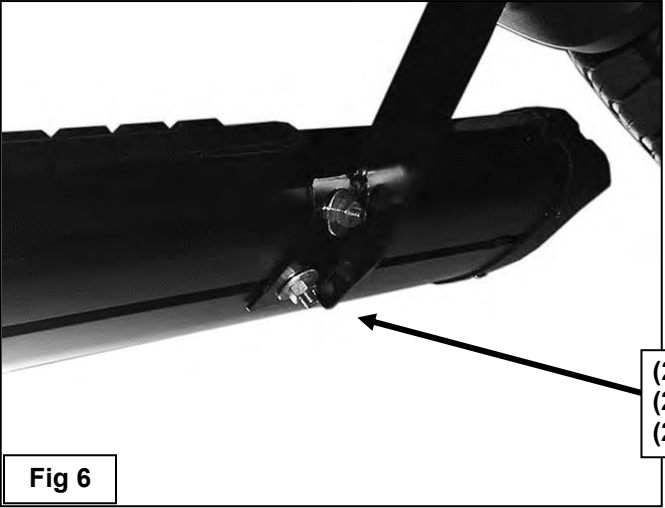


- (3) 8mm Plastic Washers
- (3) 8mm Flat Washers
- (3) 8mm Nylon Lock Nuts

(Fig 4) Typical Bracket installation illustrated



(Fig 5) Slide (2) 8mm T-Bolts into each channel in bottom of board



- (2) 8mm x 24mm STD Flat Washers
- (2) 8mm Lock Washer
- (2) 8mm Hex Nuts

Fig 6